

RES

SELF ORDERING KIOSK

SELF-ORDERING KIOSKS
FOR RESTAURANTS AND RETAILERS

SIMPLIFY AND SPEED UP
THE ORDERING PROCESS



Touch screen



Scanner



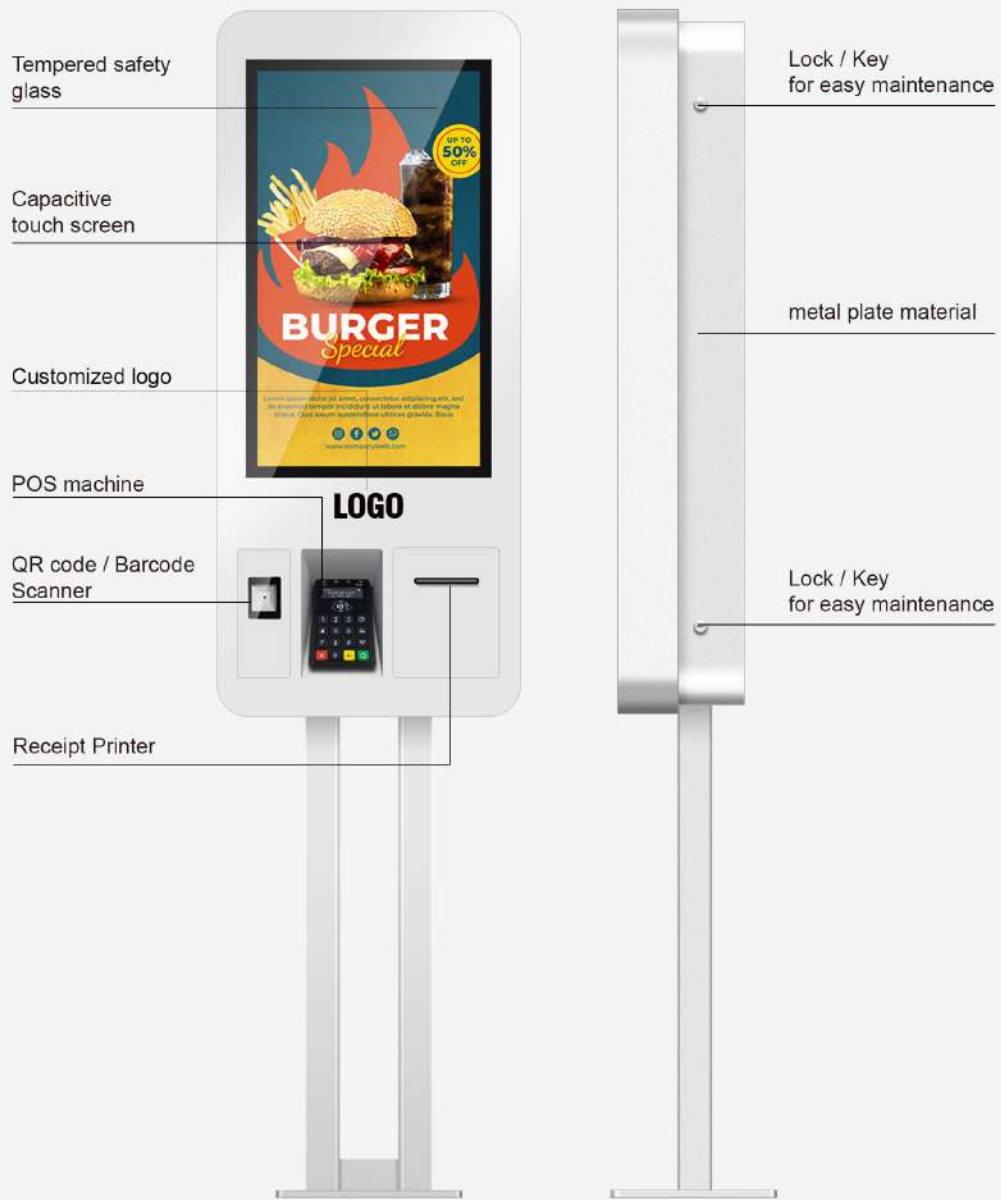
Printer



Payment



PRODUCT DETAILS

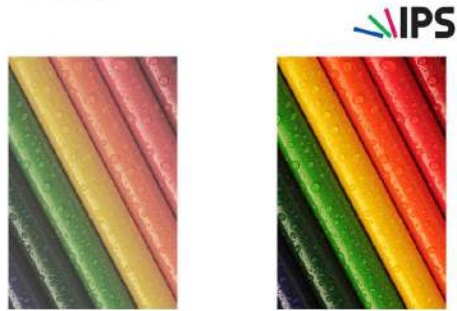


**OPTION:
FRONT SERVICE PRINTER, FOR FAST AND EASY MAINTENANCE**



PRODUCT FEATURES

1. IPS PANEL



IPS

Industrial grade IPS technology accurately displays image quality and colour depth with no fall-off in colour accuracy.

2. NETWORK REMOTE CONTROL



LAN, Wi-Fi, 4G network connection are available. The playlist can be remotely updated over the internet.

3. 10 POINT PCAP / IR TOUCH

10
Touch Points



Manipulate images, zoom in an out as well as perform many other touch gestures; Multiple users interacting with the screen at one time.

4. PAYMENT



There is an structure holder that can be intergrated with any pin pad or POS system.

5. PRINTER



Thermal printer for the receipt or ticket of 80mm roll.

6. SCANNER



Intergrated with QR code / Barcode scanner is available.

DESIGN OPTIONS

SINGLE SIDED



DOUBLE SIDED



FLOOR STAND



CUSTOMIZATION



WALL MOUNTED



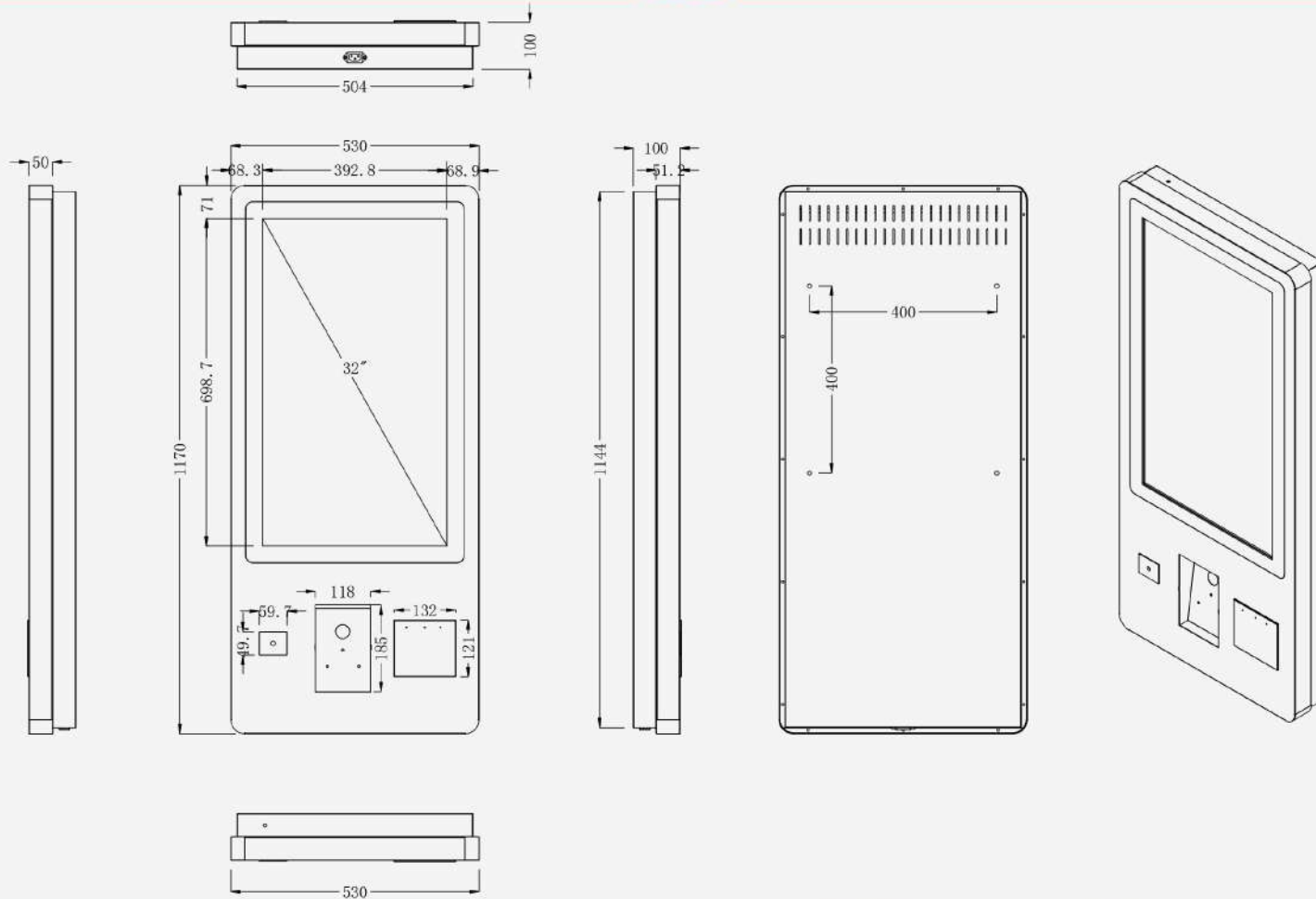
COLOR IS OPTIONAL:



APPLICATION



SIZE

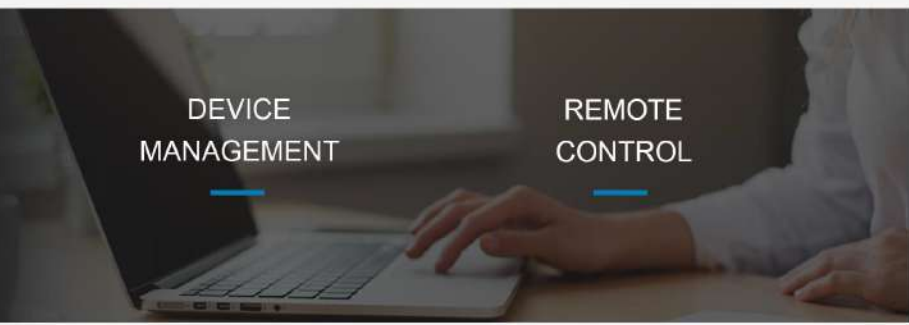


OTHER AVAILABLE SIZES:
27" / 32" / 43"

CONTENT
MANAGEMENT

DEVICE
MANAGEMENT

REMOTE
CONTROL



SELF ORDERING KIOSK

Panel parameters	
Model:	P2100
Panel size:	27"/32"/43"
Resolution:	1920*1080
Display color:	16.7M
Brightness (nits):	350nits / 700nits optional
Contrast:	1300:1
Visual angle:	178°/178°
Response:	6ms
Touch screen:	10-point capacitive touch

Hardware Specification	
Surface:	anti-scratched tempered glass
Color:	Black/White/customized colors
Speaker:	2x 8Ω5W speakers
Camera:	Logitech (Optional)
Printers:	80mm receipt printer
Card Devices:	RFID reader (Optional)
Scanners:	QR code / Barcode scanner

Operating Function	
Input	HDMI VGA DVI DC Audio Earphone
Movie	MPEG-2, MPEG-4
Photo	JPEG, PNG, BMP
Music	MP3

Power	
Power supply	AC/100-240V, 50/60Hz
Power consumption (max.)	130W

Application Environment	
Operating temperature	0°C ~ +40°C
Operating humidity	10% - 80% RH Non-condensing
Storage temperature	-20°C ~ +60°C

OUR ADVANTAGE



**11+ YEARS
OF EXPERIENCE**



**OEM & ODM
SERVICE**



**STRICT QUALITY
MANAGEMENT**



**R & D AND
PATENTED PRODUCTS**



**CE, FCC, ROHS
CERTIFICATION,**



**INTEGRATED
SERVICES**

PACKING METHOD



- ① CARTON BOX
- ② WOODEN CASE



- ① FLIGHT CASE



GLOBAL 7X24 SERVICE



REMOTE TECHNICAL
SUPPORT



SUPPORT CUSTOMER'S
IMPORTANT ACTIVITIES



FREE TECHNICAL
TRAINING



VISIT VIP COUSTOMERS
REGULARLY



1 YEARS WARRANTY